

MHM COMPACT FUSION



Floor
space saving



Process optimization:
printing and drying
in one step



Outlet

Options: Gas- or E-operation / Hot air and/or infrared Combination

The **Compact Fusion** (patent pending) is a **revolution in textile finishing**. It is a combination of printing and drying in one step, immediately after printing, the textile product goes into the drying process. The Compact Fusion is the smart solution to save floor space with many other great advantages.

STRONG POINTS

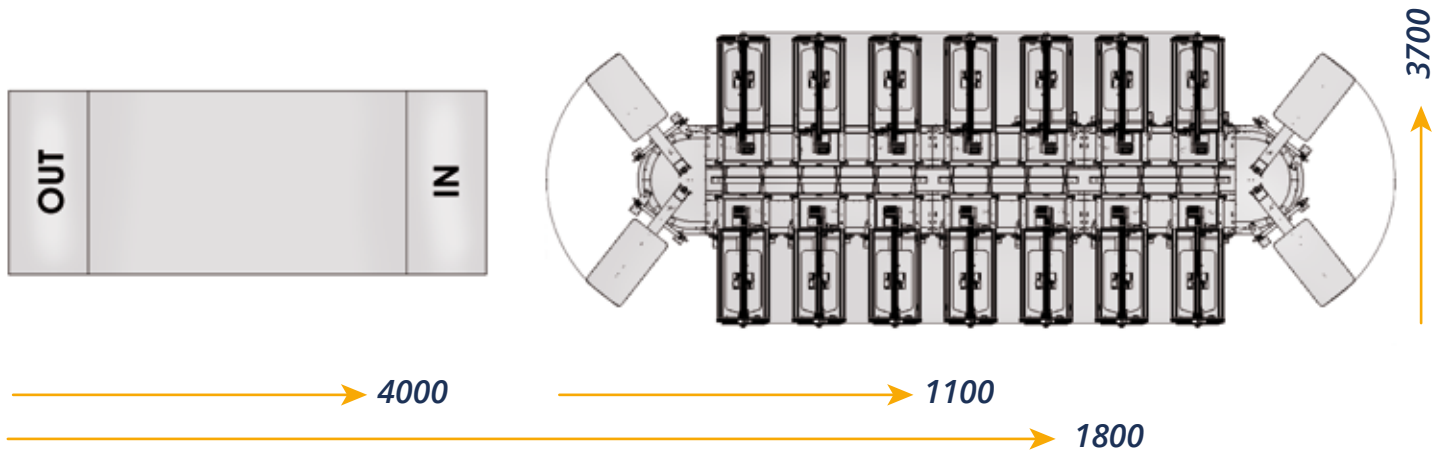
- Electric or gas operated
- Printing & drying combination
- Process optimization
- Time saving
- Floor space saving
- Patent pending

**COMPACT
FUSION**

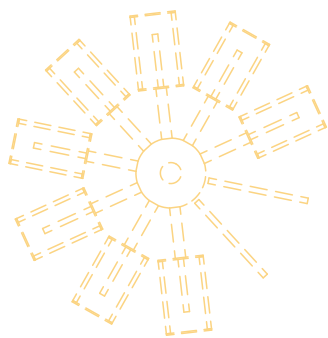


Three-meter heating zone

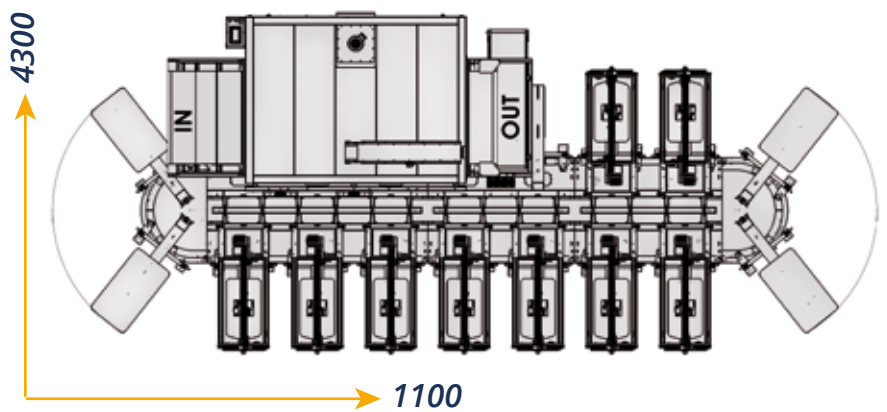
THE TRADITIONAL SET UP



THE FUSION SET UP



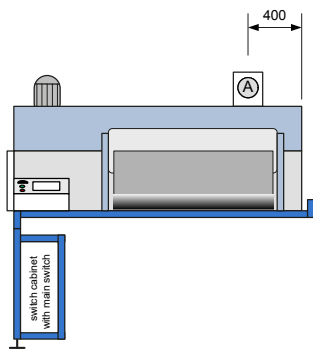
Free space for additional presses/accessories



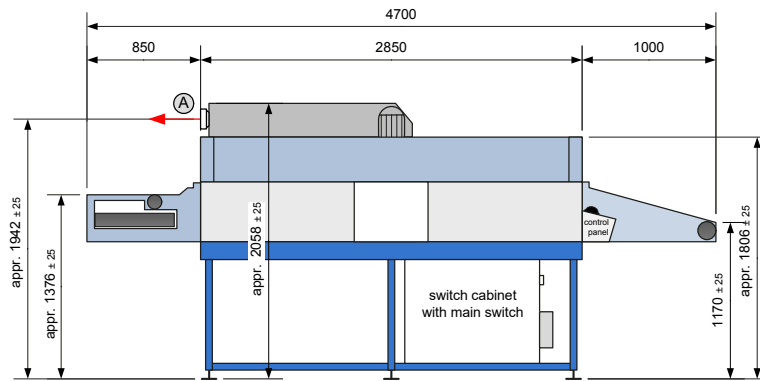
TECHNICAL DETAILS

Belt width	1200 mm, other belt widths on request
Module types	Hot air stepless adjustable up to 180 °C, combination hot air / infrared possible, cooling module possible
Heating	electrically heated or gas heated (natural gas or liquid gas), in addition with infrared emitters
Throughput height	120 mm
Transport system	teflon coated glass fibre belt, mesh size 4 mm x 4 mm, as single or split belt version, separately controllable, also in reverse directions
Belt speed	stepless adjustable from 0.4-4 m/min
Working height	1170 mm +/- 25 mm
Control	Smart Control with touch panel
Electrical supply	400 V, 3 PEN, 50 Hz, optional other versions available on request
Connection power	38 kW, 57 A

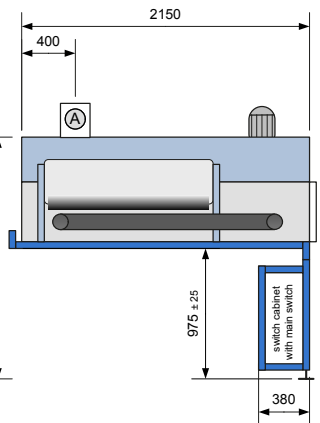
FRONT VIEW



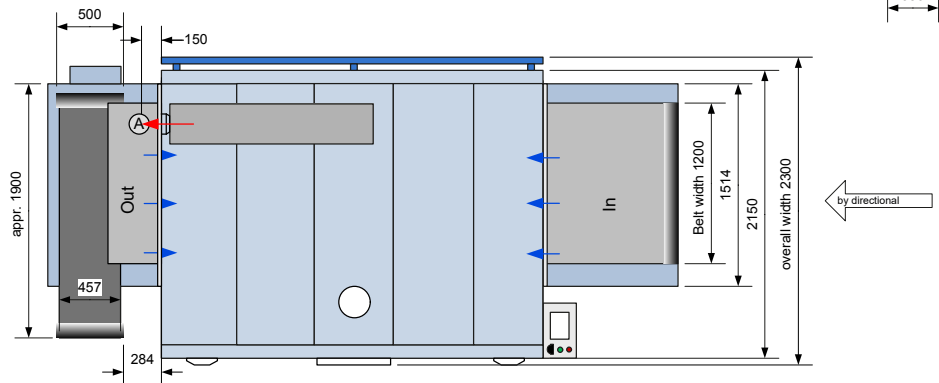
SIDE VIEW



BACK SIDE VIEW



TOP VIEW



Dimensions

M POWER YOUR BUSINESS

