

CAROUSEL SCREEN PRINTING MACHINE

SYNCHROPRINT 5000

SMART. RELIABLE. BUILT TO PERFORM.



The Synchroprint 5000 is the benchmark in high-performance screen printing—combining precision engineering with advanced features like intuitive tablet control, WiFi connectivity, and the optional 'GOTO' job memory system for instant job recall. Reliable, efficient, and built to keep you ahead.



UP TO 1,400 INDEXES PER HOUR

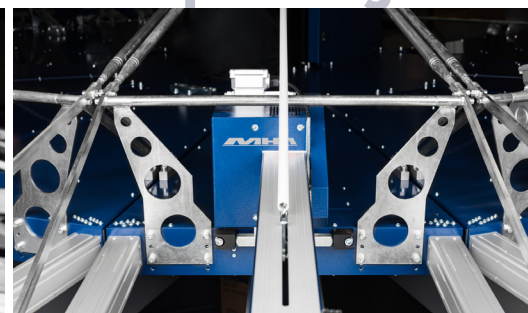
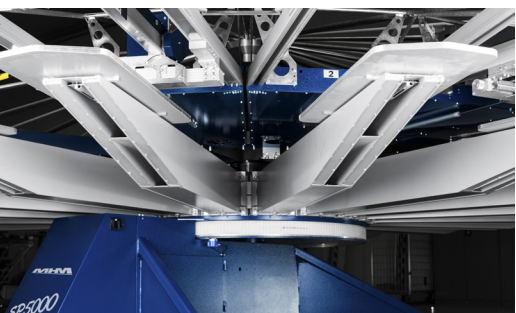


UP TO 20 PALLETS



UP TO 18 COLOURS

www.mhmscreenprinting.com





Power. Precision. Performance— The Synchroprint 5000 delivers it all.

The Synchroprint 5000 isn't just a screen printing press—it's a production powerhouse trusted by leading print shops worldwide. Built on MHM's legacy of innovation, this press brings together cutting-edge technology, rock-solid engineering, and a user-friendly design to deliver flawless results, shift after shift.

With its intuitive tablet-based control system, full WiFi connectivity, and real-time online support, the SP5000 streamlines every part of your workflow. And with industrial-grade PCB and advanced servo technology, it's built for maximum uptime and long-term reliability.

Need speed and flexibility? The optional Automatic 'GOTO' registration system with job memory lets you recall previous setups in seconds—slashing setup times and boosting repeat job consistency. Whether you're scaling up or fine-tuning your operation, the Synchroprint 5000 gives you the tools to print smarter, faster, and with total control.

This is more than a machine—it's the heartbeat of high-performance printing.

Specifications (per model)

	SP5000-08	SP5000-10	SP5000-12	SP5000-14	SP5000-16	SP5000-18	SP5000-20
Number of pallets	8	10	12	14	16	18	20
Max. number of print stations	6	8	10	12	14	16	18
Max. diameter 50 x 70 cm / 19.7 x 27.6"	505 cm / 199"	505 cm / 199"	555 cm / 219"	600 cm / 236"	640 cm / 252"	690 cm / 272"	735 cm / 289"
Max. diameter 70 x 100 cm / 27.6 x 39.4"	575 cm / 226"	625 cm / 246"	685 cm / 270"	735 cm / 289"	n/A	n/A	n/A
Max. diameter 80 x 110 cm / 31.5 x 43.3"	635 cm / 250"	675 cm / 266"	740 cm / 291"	n/A	n/A	n/A	n/A
Machine height	187 cm / 73.5"						205 cm / 80.7"
Machine weight (kg / lbs)	2.100 / 4,630	2.300 / 5,070	2.550 / 5,620	2.740 / 6,040	3.150 / 6,950	3.640 / 8,030	3.890 / 8,580
Average air consumption (l/min)	190 (6.7 cfm)	220 (7.7 cfm)	250 (8.8 cfm)	280 (9.9 cfm)	310 (10.9 cfm)	340 (12.0 cfm)	370 (13.1 cfm)
Rec. capacity of air supply (l/min)	500 (17.7 cfm)	550 (19.4 cfm)		600 (21.2 cfm)	650 (23 cfm)		700 (24.7 cfm)

CLEAR VIEW. TOTAL CONTROL.

The squeegee arm lift gives you instant, unobstructed access—boosting visibility, speeding up setups, and making every adjustment easier and more precise.

DIAL IN PRECISION—IN SECONDS.

With centralized off-contact adjustment, you get fast, unified control over print height—ensuring perfect prints, less downtime, and ultimate consistency across every station.

ROCK-SOLID STABILITY. UNMATCHED PRECISION.

Super-rigid pallet support arms eliminate flex and movement—delivering ultra-consistent prints, even under the highest pressure. Built to handle anything you throw at them.

PRECISION WHERE IT MATTERS MOST.

Individual off-contact adjustment on every station gives you complete control—fine-tune each print head for perfect alignment, flawless detail, and uncompromising quality across every job.

HOLD TIGHT. PRINT CLEAN.

The optional vacuum pallet system locks your substrates in place with precision grip—perfect for challenging materials and detailed prints. No movement, no misalignment—just flawless results.

INSTANT SETUP. PERFECT REPEATABILITY.

The optional Automatic 'GOTO' registration system with job memory gets you back to exact print positions in seconds—eliminating guesswork, cutting setup time, and delivering pinpoint accuracy on every repeat job.